



UNIVERSAL FLUSH ACCESS DOOR

Model DSC-214M

Prime Coated Steel or Stainless Steel



KARP ASSOCIATES, INC.
 54-54 43rd Street, Maspeth, NY 11378
 (718) 784-2105 - Phone
 (718) 784-9169 - Fax

SPECIFICATIONS

GENERAL SCOPE:

Access doors shall be Karp Type DSC-214M as manufactured by Karp Associates, Inc., Maspeth, N.Y. Sizes shall be as indicated on the drawings.

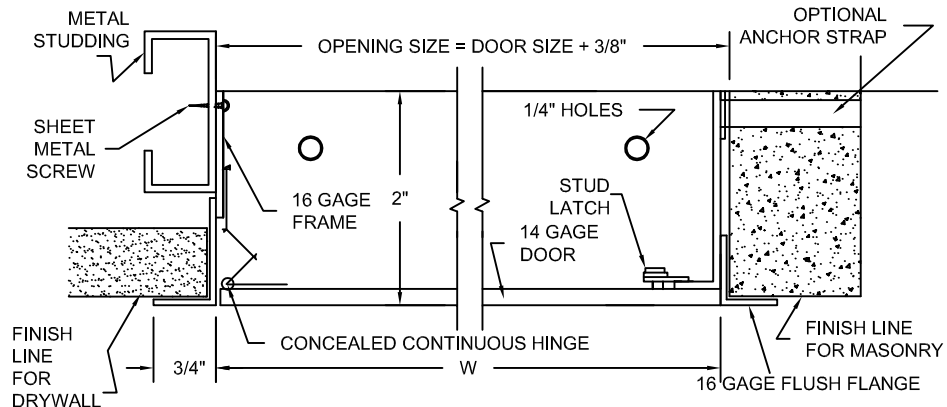
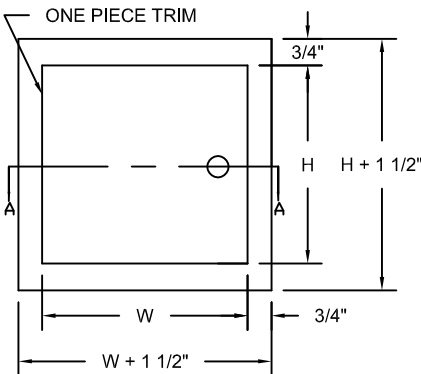
CONSTRUCTION:

1. Frame shall be 16 gage steel and door shall be 14 gage steel.
2. Flange of frame shall be one-piece construction, 3/4" wide.
3. Hinge shall be concealed continuous piano hinge. Where space conditions prevent door from swinging open, removable door lift off hinges or screws can be provided.
4. Latches shall be flush and screwdriver operated, or shall be key operated cylinder lock with automatic dust shutter.
5. Masonry anchor straps can be included on frames if specified.
6. Finish shall be prime coat of rust inhibitive electrostatic powder, baked grey enamel. Stainless steel shall have No. 4 satin polish finish.

STANDARD SIZES

DOOR SIZE H X W (IN.)	WALL/CEILING OPENING (IN.)	NUMBER OF LATCHES		SHIP WT. (LBS.)
		CRS	SS	
6 x 6	6 3/8 x 6 3/8	1		2.1
8 x 8*	8 3/8 x 8 3/8	1		3.1
10 x 10*	10 3/8 x 10 3/8	1		4.3
12 x 8	12 3/8 x 8 3/8	1		4.6
12 x 12*	12 3/8 x 12 3/8	1		6.3
14 x 14	14 3/8 x 14 3/8	2		8.1
16 x 12	16 3/8 x 12 3/8	2		7.8
16 x 16	16 3/8 x 16 3/8	2		9.9
18 x 12	18 3/8 x 12 3/8	2		8.9
18 x 18*	18 3/8 x 18 3/8	2	4	12.2
20 x 16	20 3/8 x 16 3/8	2		11.8
22 x 22	22 3/8 x 22 3/8	4		16.3
24 x 12	24 3/8 x 12 3/8	2		10.6
24 x 18	24 3/8 x 18 3/8	2		14.5

* STOCK SIZES AVAILABLE



* The wall opening size for doors larger than 48 x 36 shall be 1/2" larger than the door size.

DATE

PROJECT DATA

Project Name:
Architect:
Contractor:
Agent/Customer Name:
Tagging Instructions:
Special Instructions:

PROJECT SCHEDULE

Qty.	H	W	No. of Latches	Finish	Remarks

DOOR SIZE H X W (IN.)	WALL/CEILING OPENING (IN.)	NUMBER OF LATCHES	SHIP WT. (LBS.)
24 x 20	24 3/8 x 20 3/8	2	16.5
24 x 24*	24 3/8 x 24 3/8	5	18.7
30 x 20	30 3/8 x 20 3/8	5	20.1
30 x 22	30 3/8 x 22 3/8	5	21.7
30 x 24	30 3/8 x 24 3/8	5	23.6
30 x 30	30 3/8 x 30 3/8	5	27.8
36 x 22	36 3/8 x 22 3/8	5	25.6
36 x 24	36 3/8 x 24 3/8	5	28.2
36 x 36	36 3/8 x 36 3/8	5	36.8
48 x 24	48 3/8 x 24 3/8	6	34.4

